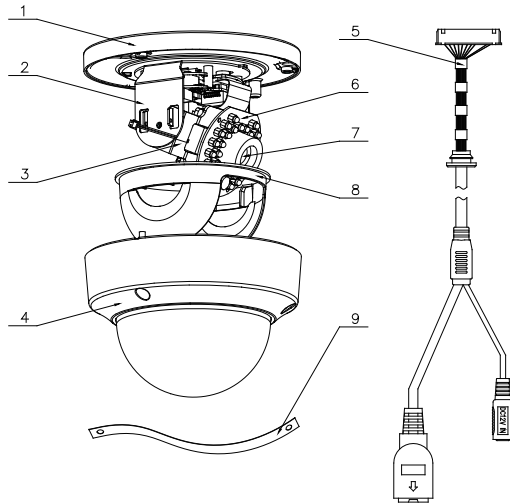


# Dome Type IV Network Camera

## Quick Installation Guide



No.	Description
1	Mounting base
2	Horizontal stand
3	Vertical stand
4	Lower dome
5	Cables
6	Plate of infrared lamp
7	Lens
8	Black Liner
9	Safety rope

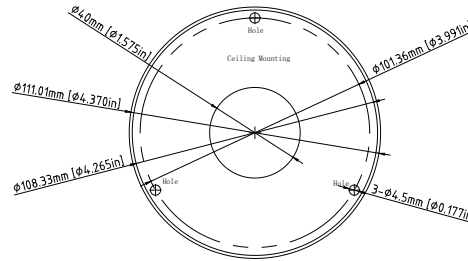
### Installation Steps:

#### Note:

The ceiling must be thick enough to withstand more than three times the weight of the camera.

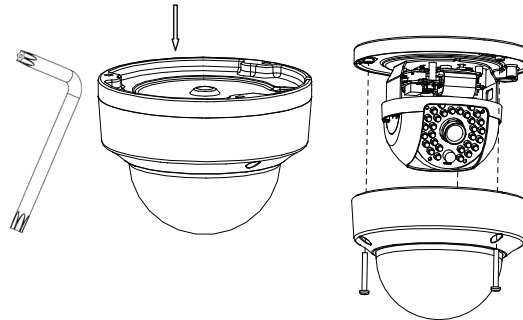
### 1. Drill the Holes

Drill the screw holes on the ceiling with the supplied drilling template. If you need to route the cables from the bottom of the camera, cut a cable hole in the ceiling.

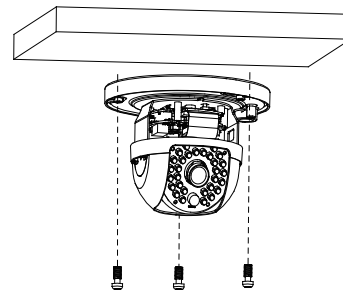


### 2. Disassemble the Lower Dome

Loosen the set screws with a hex key (supplied) to remove the lower dome.

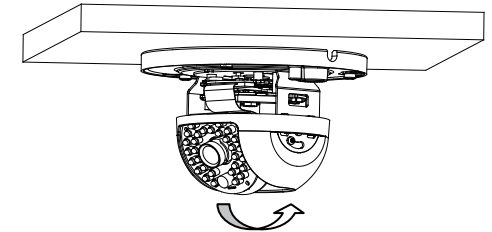


### 3. Fix the mounting base on the ceiling with screws.



### 4. Adjust Camera

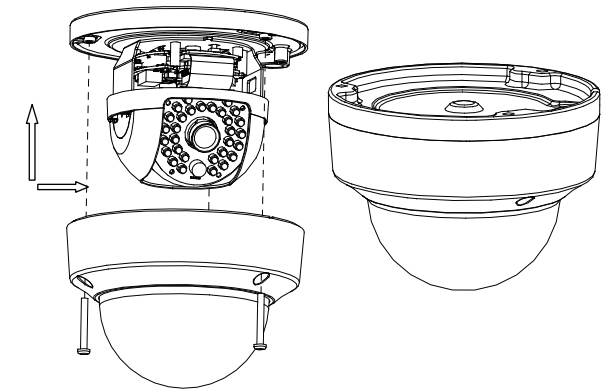
Loosen the tilt lock screws, adjust the tilting position in a range of 65 degrees, and tighten the tilt lock screws. Rotate the black liner to adjust the panning position in a range of 360 degrees until getting the desired surveillance angle.



#### Note:

As the lens of camera has already been factory adjusted to the best imaging effect, you just need to adjust the panning position and tilting position to get the desired surveillance angle.

### 5. Reinstall the lower dome and tighten the screws.



For detailed instructions of further configuration, please refer to the user manual of network camera.