

DS-2TD4035D-25(50)

Thermal + Optical Bi-Spectrum Network Outdoor Speed Dome

- 384 x 288 Resolution
- Vanadium Oxide Uncooled FPA
- 25 mm and 50 mm Lens Options
- NETD <50 mk
- Adaptive AGC
- Dynamic Detail Enhancement
- Visible Imager: 2 MP 1/3" CMOS
- 30x Optical Zoom, 16x Digital Zoom
- Smart IR Array, 500 ft (150 m) Range
- Smart Features
 - Smart Tracking
 - Line Crossing, Intrusion, Region Entrance/Exit
 - Temperature Exception
 - Advanced Fire Detection
- Edge Recording
- 3D DNR, EIS, Defog
- Region of Interest Encoding (ROI)
- IP66
- 24 VAC, 60 W



The Hikvision DS-2TD4035D-25 and DS-2TD4035D-50 Thermal + Optical Bi-Spectrum network speed dome cameras offer thermal as well as optical imaging in a single unit.

Smart Detection functions include intrusion detection, line crossing detection, region entrance detection, region exiting detection, audio exception detection, benefitting users with great improvement in security efficiency and, more importantly, with key events and objects being recorded for further forensic needs.

Also featured is Smart Tracking: panorama tracking, event tracking, and multi-scene patrol tracking, which enable the camera to detect a progressively moving object and follow it within the camera's area of coverage. IR intensity is automatically adjusted, depending on the zoom ratio.

Image enhancement features include defog, high light compensation, and EIS (Electronic Image Stabilization).

Available Models:

- DS-2TD4035D-25 (25 mm Lens)
- DS-2TD4035D-50 (50 mm Lens)



	DS-2TD4035D-25	DS-2TD4035D-50
Infrared Module		
Image Sensor	Vanadium Oxide Uncooled Focal Plane Detectors	
Maximum Resolution	384 × 288	
Response Waveband	8 to 14μm	
NetD	<50 mk (@25° C, f/1.0)	
Reference Object Size	Human: 1.8 x 0.5 m	Vehicle: 1.4 x 4.0 m
Lens (Focal Length)	25 mm	50 mm
Mrad	1 mrad	0.5 mrad
Field of View (H x V)	21.7° x 16.4°	11.0° x 8.2°
f/ Number	1.0	1.0
Optical Module		
Image Sensor	1/2.8" progressive scan CMOS	
Effective Pixels	2230K pixels	
Minimum Illumination	Color: 0.3 lux (f/1.6, 1/30 sec, 50 IRE, AGC on) B/W: 0.02 lux (f/1.6, 1/30 sec, 50 IRE, AGC on) Color: 0.02 lux (f/1.6, 1/1 sec, 50 IRE, AGC on) B/W: 0.002 lux (f/1.6, 1.1 sec, 50 IRE, AGC on)	
White Balance	Auto/manual/ATW/indoor/outdoor/daylight lamp/sodium lamp	
AGC	Auto/manual	
S/N Ratio	≥ 55 dB	
Digital Noise Reduction	3D DNR	
Backlight Compensation	HLC/BLC	
WDR	Digital	
Shutter Speed	1 to 1/30.00 s	
Day/Night	IR cut filter	
Digital Zoom	16x	
Privacy Masking	24 privacy masks programmable, optional multiple colors and mosaics	
Focus Mode	Auto/semiautomatic/manual	
EIS	Supported	
Defog	Supported	
Focal Length	4.3 mm to 129 mm, 30x	
Zoom Speed	Approximately 3 s (optical wide to tele)	
Aperture Range	f/1.6 to f/5.0	
Angle of View	65.5° to 2.11° (wide to tele)	
Minimum Working Distance	10 to 1500 mm (wide to tele)	
PTZ		
Pan Range	360° endless	
Pan Speed	Manual control speed: 0.1° to 160°/s; preset speed: 240°/s	
Tilt Range	-15° to 90° (auto flip)	
Tilt Speed	Manual control speed: 0.1° to 120°/s; preset speed: 200°/s	
Proportional Zoom	Supported	
Number of Presets	300	
Patrols	8 patrols, up to 32 presets per patrol	
Patterns	4 patterns, with the recording time not less than 10 minutes per pattern	
Power-Off Memory	Supported, restore PTZ and lens status after rebooting	
Park Actions	Preset/patrol/pattern/pan scan/tilt scan/random scan/frame scan/panorama scan	
PTZ Position Display	On/off	
Preset Freezing	Supported	
Scheduled Tasks	Preset/patrol/pattern/pan scan/tilt scan/random scan/frame scan/panorama scan/dome reboot /dome adjust/aux output	
Infrared		
IR Distance	492 ft (150 m)	
IR Intensity	Automatically adjusted, depending on the zoom ratio	
Network		
Maximum Image Resolution	1920 × 1080 (visible light), 384 × 288 (thermal)	
Main Stream	Visible Light: 50 Hz: 25 fps (1920 × 1080), 25 fps (1280 × 960), 25 fps (1280 × 720) Visible Light: 60 Hz: 30 fps (1920 × 1080), 30 fps (1280 × 960), 30 fps (1280 × 720) Thermal: 25 fps (384 × 288)	
Sub Stream	Visible Light: 50 Hz: 25 fps (704 × 576), 25 fps (352 × 288), 25 fps (176 × 144) Visible Light: 60 Hz: 30 fps (704 × 480), 30 fps (352 × 240), 30 fps (176 × 120) Thermal: 25 fps (384 × 288)	
Video Compression	H.264/MJPEG/MPEG4, H.264 encoding with Baseline/Main/High Profile	
Audio Compression	G.711u/G.711a/G.722.1/MP2L2/G726/ PCM	
Protocols	IPv4/IPv6, HTTP, HTTPS, 802.1x, QoS, FTP, SMTP, UPnP, SNMP, DNS, DDNS, NTP, RTSP, RTCP, RTP, TCP, UDP, IGMP, ICMP, DHCP, PPPoE, Bonjour	
Simultaneous Live View	Up to 20	
User/Host Levels	Up to 32 users, 3 levels: administrator, operator, user	
Security Measures	User authentication (ID and PW), MAC address binding, HTTPS encryption, IEEE 802.1x access control, IP address filtering	
Integration		
Alarm Inputs	7 inputs (0 to 5 VDC)	
Alarm Outputs	2 relay outputs, alarm response actions configurable	
Alarm Action	Preset/patrol/pattern/SD recording/relay output/smart capture/FTP upload/e-mail linkage	
Audio Input	1 mic in/line in interface, line input: 2-2.4 V[p-p], output impedance: 1K Ω ±10%	
Audio Output	Line level, impedance: 600 Ω	
Ethernet	1 RJ-45 10M/100M self-adaptive Ethernet interface	
Memory Card	Built-in microSD card slot, supports microSD/SDHC/SDXC card (up to 64 GB), supports manual/alarm recording	
Analog Video Output	1.0 V[p-p]/75 Ω, PAL (or NTSC), BNC	
RS-485 Protocols	Half-duplex; HIKVISION, PELCO-P, PELCO-D, self-adaptive	
Application Programming	Open-ended API, supports ONVIF, PSIA, CGI, HIKVISION SDK and third-party management platform	
Client	iVMS-4200	
Web Browser	IE7+, Chrome 18+, Firefox 5.0+, Safari 5.02+	
General		
Menu Language	English	
Power	24 VAC, 60 W maximum	
Working Temperature/Humidity	-40° C to 60° C (-40° F to 140° F), humidity 90% or less (non-condensing)	
Protection Levels	IP66; TVS 6000 V lightning protection, surge protection, voltage transient protection	
Dimensions	10.5" x 14.38" (Φ266.6 mm x 365.2 mm)	
Weight	17.64 lbs (8 kg)	

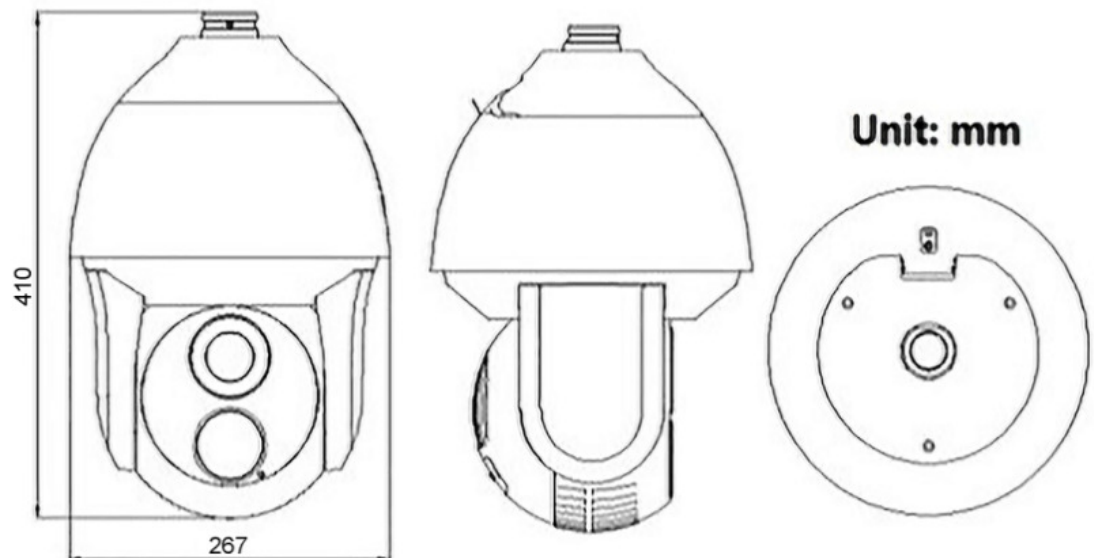


Range Performance¹

Standard Range Table	Model			
	DS-2TD4035D-25		DS-2TD4035D-50	
Johnson Criteria	Human	Vehicle	Human	Vehicle
Detection	1,640 ft (500 m)	5,030 ft (1,533 m)	3,281 ft (1,000 m)	10,062 ft (3,067 m)
Recognition	410 ft (125 m)	1,257 ft (383 m)	820 ft (250 m)	2,516 ft (767 m)
Identification	207 ft (63 m)	630 ft (192 m)	410 ft (125 m)	1,257 ft (383 m)

Smart Functions Range Table Line Cross/Intrusion/Region Entrance-Exit	Object	Model	
		DS-2TD4035D-25	DS-2TD4035D-50
Optimized to Johnson Criteria (Recognition)	Human	410 ft (125 m)	820 ft (250 m)
	Vehicle	1,257 ft (383 m)	2,516 ft (767 m)
Temperature Exception	Size of Point	Max Range	Max Range
Accuracy at 5 x 5 pixels	2 m x 2 m	1,115 ft (340 m)	2,231 ft (680 m)
	1 m x 1 m	574 ft (175 m)	1,148 ft (350 m)
Advanced Fire Detection	Size of Point	Max Range	Max Range
Accuracy at 2 x 2 pixels	2 m x 2 m	3,281 ft (1,000 m)	6,562 ft (2,000 m)
	1 m x 1 m	1,640 ft (500 m)	3,281 ft (1,000 m)

Dimensions



Accessories

WMP-L Wall Mount PTZ-Long	CMP Corner Mount for WMP-L	PMP Pole Mount for WMP-L	JBPW-L PTZ Junction Box w/Wall Bracket
PMPL Pole Mount-Large for JBPW-L	CMPL Corner Mount-Large for JBPW-L	CPM-S Ceiling Pendant Mount-Short	CPM-L Ceiling Pendant Mount-Long
CPMPE Ceiling Pendant Mount, extension pipe 1.5' diameter	RPM Roof Parapet Mount		

¹Range performance values are calculated under ideal conditions and are not a guarantee of performance.