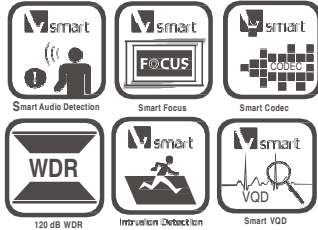


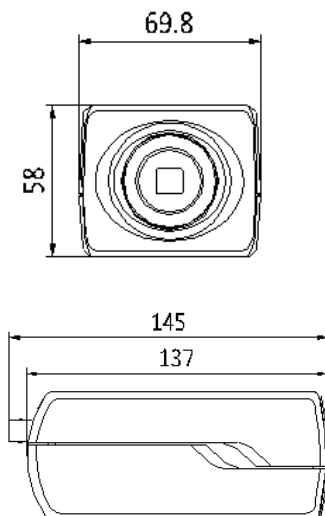
DS-2CD4012FWD-A 1.3 MP WDR Box Camera



Key Features

- Up to 1280 x 960 High Resolution
- HD720p Video
- Smart Codec
- 120 dB WDR, 3D DNR
- Triple Streams
- On-Board Storage, Up to 128 GB
- Smart Focus: ABF
- Smart Audio Detection
- Intrusion Detection
- Two Way Audio, Built-In Mic
- Defog
- People Counting

Dimensions (unit: mm)



DS-2CD4012FWD-A	
Camera	
Image Sensor	1/3" progressive scan CMOS
Minimum Illumination	Color: 0.01 lux @ f/1.2, AGC on; B/W: 0.001 lux @ f/1.2, AGC on
Shutter Speed	1 s to 1/100,000 s
Slow Shutter	Yes
Lens Mount	C/CS mount
Auto Iris	DC drive
Day/Night	ICR (auto/schedule/alarm trigger)
Digital Noise Reduction	3D DNR
Wide Dynamic Range	120 dB WDR
Smart Focus	Auto back focus
Compression Standard	
Video Compression	H.264/MPEG4/MJPEG
H.264 Codec Profile	Baseline Profile/Main Profile/High Profile
Video Bit Rate	32 Kbps to 16 Mbps
Audio Compression	G.711/G.726/MP2L2
Audio Bit Rate	64 Kbps (G.711)/16Kbps (G.726)
Image	
Maximum Resolution	1280 x 960
Frame Rate	50 Hz: 25 fps (1280 × 960) , 50 fps (1280 × 720) 60 Hz: 25 fps (1280 × 960) , 60 fps (1280 × 720)
Third Stream	Independent setting, up to: 50 Hz: 25 fps (1280 x 960), 60 Hz: 30 fps (1280 x 960)
Image Settings	Rotate mode, saturation, brightness, contrast, grayscale adjustable through client software or Web browser
BLC	Yes, zone configurable
Picture Overlay	128 x 128, BMP 24-bit, zone configurable
Defog	Yes
EIS	Yes
ROI	Yes, up to 4 configurable areas for each of 3 streams
Network	
Network Storage	NAS
Alarm Trigger	Intrusion detection, motion detection, face detection, tampering alarm, defocus, network disconnect, IP address conflict, storage exception, line crossing detection
Protocols	TCP/IP, ICMP, HTTP, HTTPS, FTP, DHCP, DNS, DDNS, RTP, RTSP, RTCP, PPPoE, NTP, UPnP, SMTP, SNMP, IGMP, 802.1X, QoS, IPv6, Bonjour
Security	User authentication, watermark, IP address filtering, anonymous access
System Compatibility	ONVIF, PSIA, CGI, ISAPI
Interface	
Audio Input	1-ch 3.5 mm audio interface, mic in/line in, 1-ch built-in microphone
Audio Output	1-ch 3.5 mm audio interface
Communication Interface	1 RJ-45 10M/100M Ethernet port, 1 RS-485 interface, 1 RS-232 interface
Alarm I/O	1/1
Video Output	1 Vp-p composite output (75 Ω/BNC)
On-Board Storage	Built-in microSD/SDHC/SDXC card slot, up to 128 GB
Reset	Yes
General	
Operating Conditions	-30° C to 60° C (-22° F to 140° F), humidity 95% or less (non-condensing)
Power Supply	24 VAC ±10%, 12 VDC ±10%, PoE (802.3af)
Power Consumption	Maximum 6 W (maximum 9 W with ICR on)
Dimensions	69.8 mm × 58 mm × 145 mm (2.68" × 2.56" × 5.70")
Weight	830 g (1.83 lbs)

Order Models

DS-2CD4012FWD-A